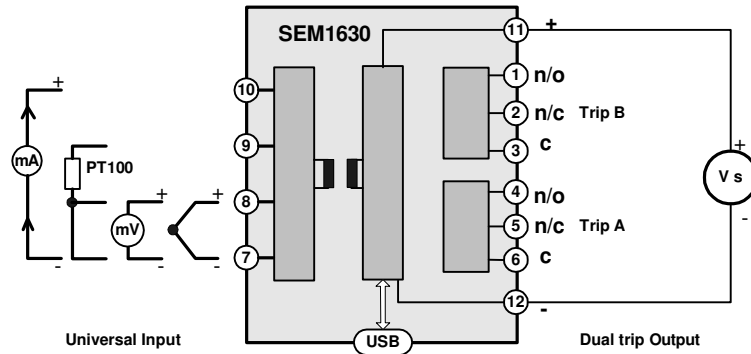


## SEM1630 USER GUIDE

DIN RAIL MOUNTED TRIP  
 AMP  
 UNIVERSAL INPUT  
 DUAL Form C OUTPUT



**Important - Potentially Hazardous situations. Persons responsible for the installation and operation of this equipment must be fully aware of all aspects of this guide. Failure to follow the instructions can cause severe injuries and damage.**

Every effort has been taken to ensure the accuracy of this document, however we do not accept responsibility for damage, injury, loss or expense resulting from errors and omissions, and we reserve the right of amendment without notice.



### IMPORTANT - CE & SAFETY REQUIREMENTS

This product is suitable for environment Installation category II pollution degree.  
 The product is classed as "PERMANENTLY CONNECTED EQUIPMENT".  
 Product must be DIN rail mounted, inside a suitable enclosure providing environmental protection to IP65 or greater.  
 Dc supply must be derived from a local supply and not a distribution system.  
 Max relay contact rating 250 V AC @ 1 A (30 V DC @ 1A). Any circuit connected to a contact must be fused with a 2A (T) fuse.  
 To maintain CE EMC requirements , input and supply wires must be less than 30 metres.  
 The product contains no serviceable parts , or internal adjustments. no attempt must be made to repair this product. Faulty units must be returned to supplier for repair.  
 This product must be installed by a qualified person. All electrical wiring must be carried out in accordance with the appropriate regulations for the place of installation.  
 Before attempting any electrical connection work, please ensure all supplies are switched off.

ABSOLUTE MAXIMUM CONDITIONS ( To exceed may cause damage to the unit):-

Supply Voltage	± 30 V dc (Protected for over voltage and reverse connection)
Current with over voltage	± 200 mA
Input Voltage	± 5 V between any terminals
Input Current	± 100 mA between terminals 7 & 10
Ambient	Temperature (-30 to 75) °C Humidity (10 to 95) % RH (Non condensing)

### PRODUCT SPECIFICATION

Please refer to the product data sheet for full specification, available to download at [www.status.co.uk](http://www.status.co.uk).

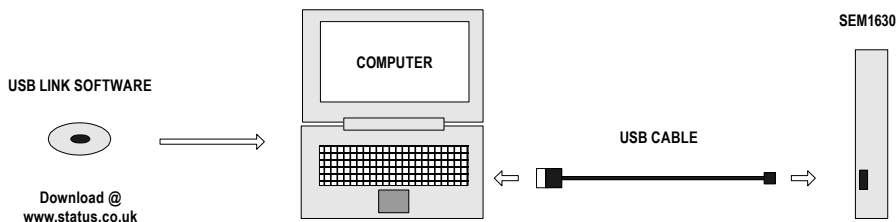
### RECEIVE AND UNPACKING

Please inspect the packaging and instrument thoroughly for any signs of transit damage. If the instrument has been damaged, please notify your supplier immediately.

### CONFIGURATION



**IMPORTANT** The SEM1630 can be configured whilst connected and powered, but a portable battery powered computer must be used to avoid the effects of ground loops.



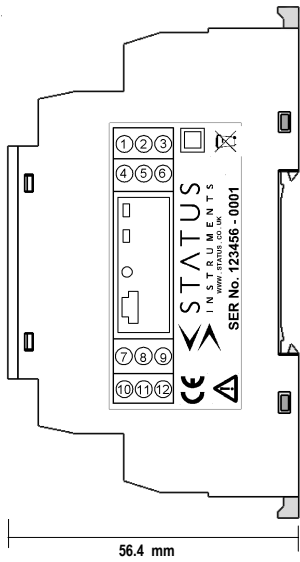
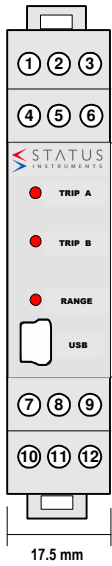
The following parameter can be configured by simply entering as prompted by the software package.

- Input type (K,J,E,N,T,R,S,mV,PT100,mA)
- Setpoint Trip A & B
- Hysteresis Trip A & B
- Units (°C, °F, mV, mA)
- Trip A & B Type (High or Low)

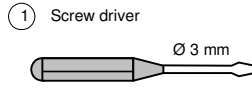
**Factory default:**

Input type	= P
Units	= °C
Trip A	= H
Setpoint Trip A	= 50
Hysteresis Trip A	= 1
Trip B	= H
Setpoint Trip B	= 50
Hysteresis Trip B	= 1

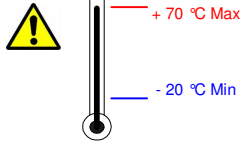
## MECHANICAL INSTALLATION



### MOUNTING

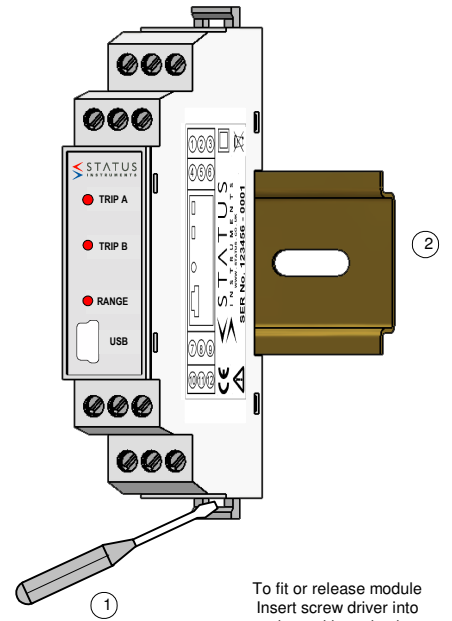


90 mm



### SEM1630 Enclosure

Style DIN 43880 (1 module width)  
Material Polyamide 6.6 self extinguishing  
Terminals Screw terminal  
Cable 2.5 mm Max  
Colour Grey



To fit or release module  
Insert screw driver into  
slot and lever latch  
away from body

## ELECTRICAL INSTALLATION

### Screened Cable



### Twisted Pair Cable



### TC Compensation Cable Screened



### Screw Driver Ø 3 mm



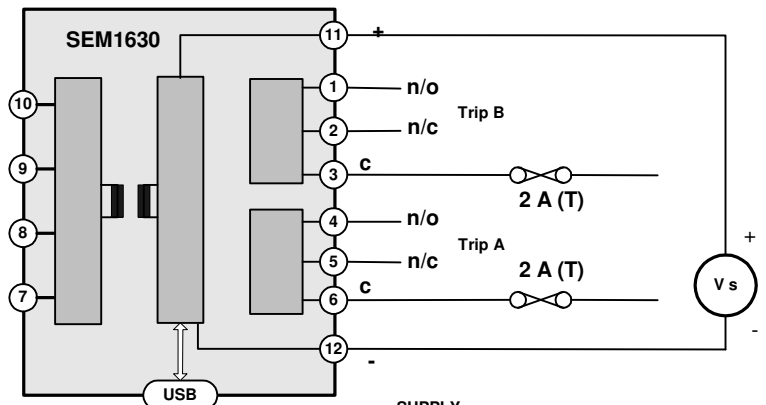
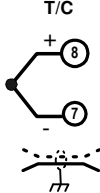
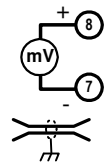
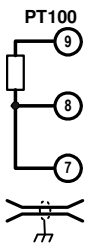
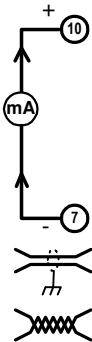
1.0 TURN OFF SUPPLY BEFORE WORKING ON ANY ELECTRICAL CONNECTION.

2.0 FUSE CONTACT CIRCUITS 2 A (T).

3.0 MAX CONTACT RATING 250 V ac (30 V dc) @ 1 A

### UNIVERSAL INPUT CONNECTION

For cable length < 3 Metres no screen or twist pair required. Thermocouple inputs must use correct compensation cable. PT100 inputs all three wire must be equal length (resistance). Use recommended types for cable length (3 to 30) metres.



SUPPLY  
Max cable length 30 metres

## FRONT PANEL INDICATION

Trip A alarm LED on in alarm state

Trip B alarm LED on in alarm state

Range LED on when input is out of range

USB configuration port

