

# CONNECTION HEAD

## SCH11 Series

- Aluminium Alloy Construction
- 33mm Mounting Holes For Transmitter / Connection Block
- Sealed to IP68
- M20x 1.5 Cable Entry
- M24 x 1.5 Sensor Entry

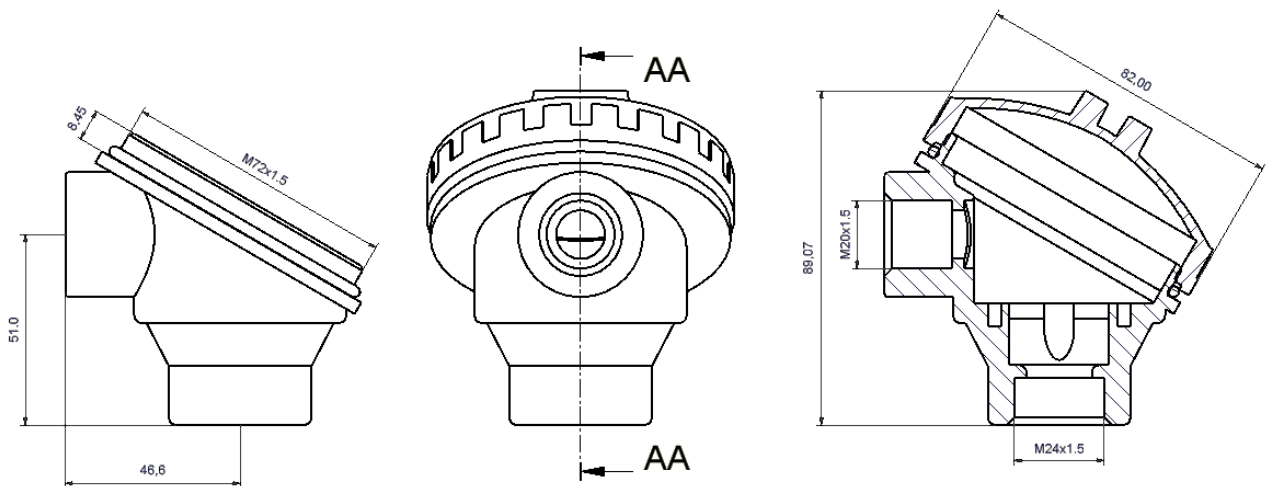


### INTRODUCTION

The SCH11 head is one of the most popular heads we offer. Incorporating strength with a lightweight aluminium construction complete with retaining chain. It will house our SEM200, 300 and TTR transmitter range as well as connection blocks with a 33mm mounting. Suitable for use with our range of temperature sensors, we will assemble all the component parts ready for installation into your application.

### MECHANICAL

(All Measurements in mm)



Material Aluminium Alloy  
Protection IP68  
Mounting Sensor only

### Order Code

31-641-1987-01 - Version for SEM110 temperature transmitter  
31-641-1987-02 - Version for SEM200, 300 and TTR series.