

# PROCESS SIGNAL ISOLATORS

## SEM1200 LOOP SPLITTER

- Two (4 to 20) mA Outputs
- Galvanic Isolation 500 V DC Flash Tested 1 KV
- High Accuracy 0.05%
- 12.5 mm Wide



### INTRODUCTION

The SEM 1200 isolator is a dual output isolator, providing two separate isolated (4 to 20) mA current signals from a primary loop. The output loops must be powered externally. This isolator requires no user adjustment during commissioning, apart from an initial test, to ensure it operates correctly over its full working range. Minor adjustments can be made to the calibration of the device by means of the two front panel accessible calibration potentiometers. Incorrect connection in the loop will not damage the device as long as the specified maximum currents/voltages are not exceeded.

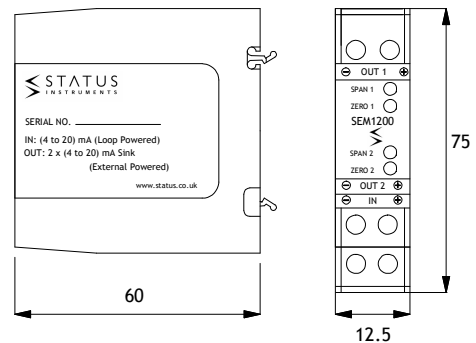
### SPECIFICATIONS @ 20 °C

<b>INPUT</b>	TYPE	Current input 2 wire Loop powered
	RANGE	(4 to 20) mA (30 mA MAX)
	PROTECTION	Reverse connection
	VOLTAGE DROP	5.0 V Maximum
<b>OUTPUT 1 &amp; OUTPUT 2</b>	TYPE	2 Wire current sink (4 to 20) mA
	LOOP VOLTAGE	(5 to 32) V d.c. (reverse protected) *
	Loop volt drop = 5 V	Load = 900 ohm @ Vs = 24 V Load = 1200 ohm @ Vs 30 V
Loop must be > 250 R for ambients > 50 °C		
Quoted specification at 15 Volt		
<b>GENERAL SPECIFICATION</b>		
V OUT <15 V		
ISOLATION		500 V DC (flash tested @ 1 kV) between each port (Isolation method, opto coupler / transformer)
<b>ENVIRONMENT</b>		BS EN61010-1 POLLUTION DEGREE 2; INSTALLATION CAT II; CLASS I
AMBIENT		(0 to 70) °C ; (10-95) % RH non condensing
LINEARITY		0.05 %
STABILITY		0.01 % / °C
RESPONSE TIME		Less than 100 mS to reach 70 % of final value.
EMC Tested to		BS EN 61326
<b>ADJUSTMENT</b>		Front Entry Fine Zero and Span Adjustment for each channel

### MECHANICAL DETAILS

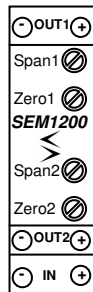
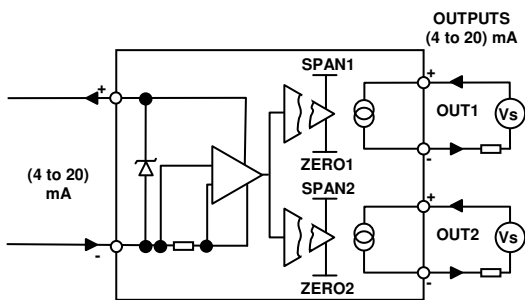
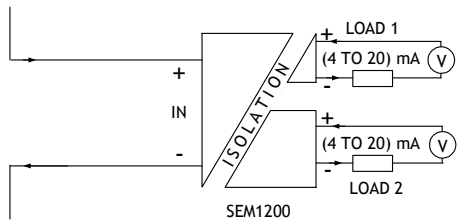
<b>CONNECTION</b>	Captive clamp screws
<b>CABLE SIZE</b>	Maximum 4 mm sq solid / 2.5 mm sq stranded
<b>CASE MATERIAL</b>	Grey Polyamide
<b>FLAMMABILITY</b>	To UL94-VO VDE 0304 Part 3, Level IIIA
<b>DIMENSIONS</b>	Case C: (60 x 75 x 12.5) mm (67.5 above rail)
<b>MOUNTING</b>	Snap on "top hat" rail (DIN EN 50022-35)

(All dimensions in mm)



# PROCESS SIGNAL ISOLATORS

## SCHEMATIC



**ORDER CODE: SEM1200**