

TEMPERATURE SENSOR & INTEGRAL TRANSMITTER

STA206

- Programmable Temperature Range
- (4 to 20) mA Output
- Standard DIN Connector
- Pt100 Sensor
- (-50 to +200) °C



INTRODUCTION

The STA206 is a cost effective sensor and transmitter assembly housed in a 316 Stainless Steel body with an integral Pt100 sensor, transmitter and DIN connector.

The integrated temperature transmitter is based around our SEM206P. PC configuration allows the user to select Range, units and Burnout direction, without requiring calibration equipment. Configuration is performed quickly using our USB port driven configurator by simply connecting two clips to the STA206 loop terminals and following the software instructions. Calibration set up may be saved as a file on the PC for later use. The STA206 incorporates the latest digital technology to ensure accurate drift free performance.

If required, the desired range can be specified at the time of order, removing the need for user configuration. If the range is not specified then the transmitter will be shipped with the default range of (0 to 100) °C.

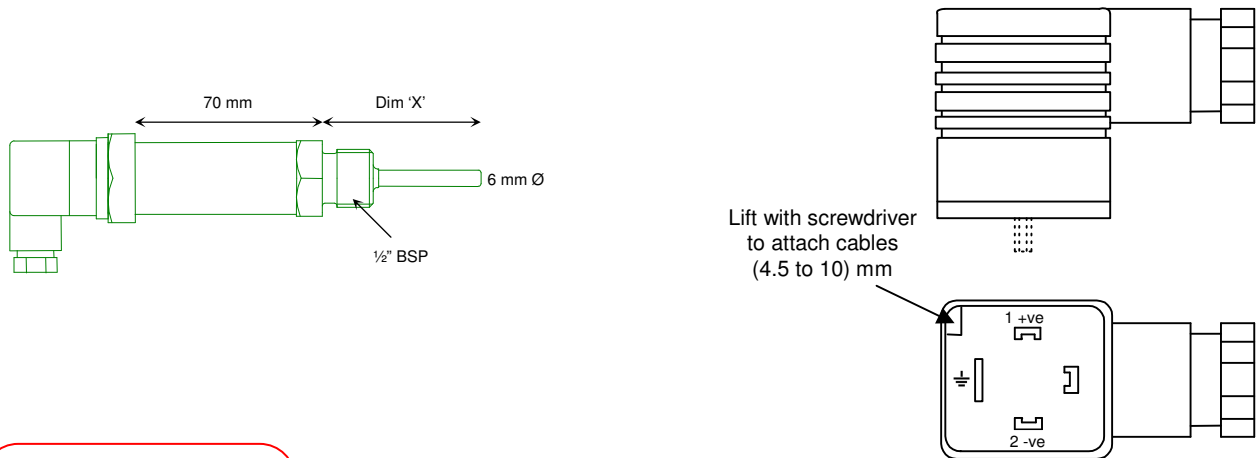
Standard immersion lengths are (50, 100, and 150) mm with a ½" BSP process connection.

SPECIFICATIONS @ 20 °C

Sensor Type	Pt100 Class A	Maximum Output	21.5 mA (in high burnout condition)
Operating Range	(-50 to 200) °C	Minimum Output	<3.9 mA (in low burnout condition)
Minimum Span	25 °C	Max Output Load	[(Vsupply-10)/21] k ohms Eg 700 ohms @ 24 V DC
Linearisation	BS EN 60751 (IEC751)	Update time	500 mS
Accuracy	0.2 °C ± 0.05 % reading Plus sensor error	Response time	1 second + sensor lag
Thermal Drift	0.0025 % / °C	Start up time	4 seconds (output < 4 mA during start up)
Excitation current	< 200 uA	Warm up time	1 minute to full accuracy
Output Type	2 Wire Current Loop	Power Supply	(10 to 30) V DC
Output Range	(4 to 20) mA	EMC Approval	BS EN 61326
Connection	DIN connector screw terminal		

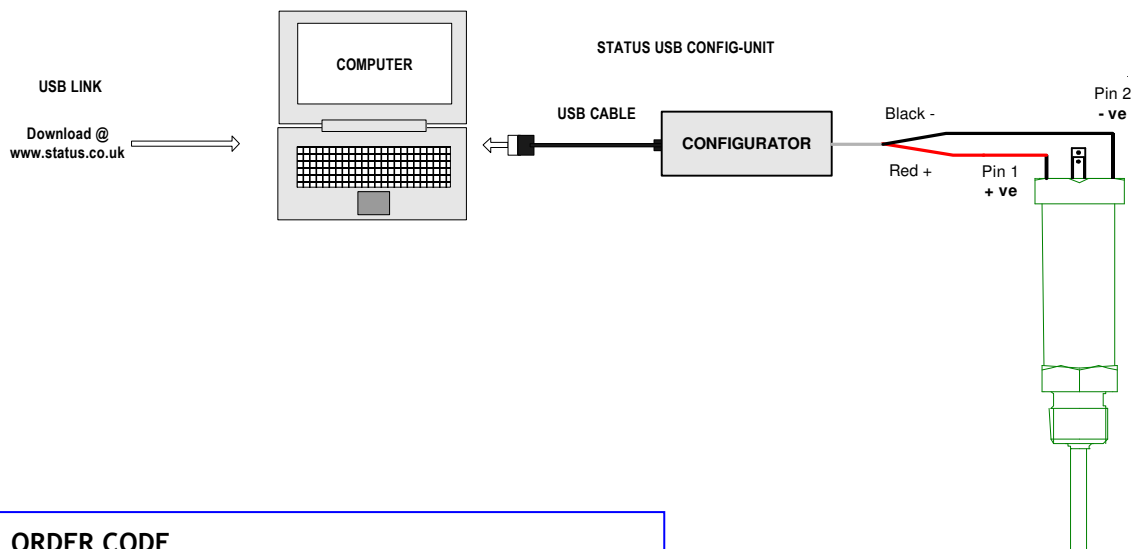
TEMPERATURE SENSOR & INTEGRAL TRANSMITTER

MECHANICAL



CONFIGURATION

! IMPORTANT Do not attempt to configure the unit when connected to a loop supply.



ORDER CODE

STA206 /

Dim 'X'

50 mm

100 mm

150 mm

'X' mm

Enter 50

Enter 100

Enter 150

Enter x

And provide
your Spec