

POWERED ISOLATING CONVERTOR

SEM1100

- > VOLTAGE OR CURRENT INPUTS
- > VOLTAGE OR CURRENT OUTPUTS
- > POWERS INPUT AND OUTPUT LOOPS
- > DRIVES CURRENT INTO 1K Ω
- > 3 PORT GALVANIC ISOLATION
- > DIN RAIL OR SURFACE MOUNT
- > SELECTABLE INPUT AND OUTPUT



INTRODUCTION

The SEM1100 is a powered isolating converter that accepts most common high level process signals (current and voltage), isolates them electrically and physically, and converts them to any other process signal. It is also possible to have voltage and current outputs simultaneously from a single input.

The isolator is available in AC and DC powered versions, both generating loop excitation for input and output loops at the same time.

Zero and span adjustment potentiometers are conveniently situated on the front panel together with a power ON LED. Configuration (factory set if specified) can easily be changed by means of internal switches and the use of suitable equipment.

SPECIFICATIONS @ 20 °C

INPUT	
Current	(4 to 20) mA, (0 to 20) mA Active or Passive (40 mA maximum)
Voltage	(0 to 100) mV, (0 to 1) mV, (0 to 5) mV, (0 to 10) V or (20 to 100)mV, (0.2 to 1) V, (1 to 5) V, (2 to 10) V (20 V maximum)
Selection	Internal switches
Impedance	Voltage > 1 M Ω Current < 50 Ω
Protection	Reverse connection/over voltage
Loop Supply	25 V @ 25 mA Nominal (available for input transmitter 27 V maximum)
OUTPUT	
Current* ¹	(4 to 20) mA, (0 to 20) mA Active or Passive
Voltage* ²	(0 to 1) V, (0 to 5) V, (0 to 10) V* ² , (0.2 to 1) V, (1 to 5) V, (2 to 10) V* ³
Selection	Internal switches
Load	(0 to 1) K Ω
Current	maximum current 5 mA
Voltage	
Linearity	0.05 % FRO
Stability	0.02 %/°C
Adjustment* ⁴	Zero span potentiometer plus internal switches

*NOTES:

1. Current and voltage outputs are not isolated from each other
2. Available simultaneously with (0 to 20) mA output
3. Available simultaneously with (4 to 20) mA output
4. Adjustment affects both Voltage and Current output

Supply	S1	(90 to 253) VAC (50 to 60) Hz or
	S2	(20 to 35) VDC
Power Consumption		4 Watt maximum
Indication		Power on LED
Response Time		< 100 ms for 70 % of final reading
Protection		Internal Fuse 500 mA (T)
Input/Output Breakdown Isolation		500 VDC (flash tested @ 1 kV)
Supply		Flash tested @ 3 kV

MECHANICAL

Mounting	DIN rail EN50022-35 or surface mount
Ambient	(0 to 50) °C; (10 to 95) % RH non condensing
Connections	Captive terminal screws
Cable size	1 mm ² maximum
Flammability	UL94: V-0; VDE 0304 STEP 11b
Dimensions	(82 x 22.5 x 99) mm
Adjustments	Zero and Span Potentiometers Plus internal switches

APPROVALS

EMC	BS EN61326
-----	------------

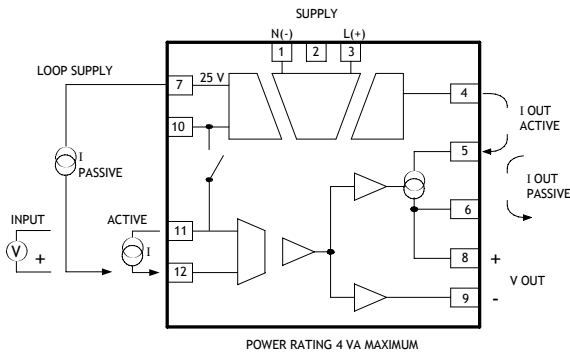
POWERED ISOLATING CONVERTOR

CONFIG. RANGES AVAILABLE SET WITH INTERNAL SWITCHES

INPUT	OUTPUT	
(4 to 20) mA Passive	VOLTAGE	CURRENT
(4 to 20) mA Active	(0 to 1) V	(0 to 20) mA
(0 to 20) mA Passive	200 mV to 1 V	(4 to 20) mA
(0 to 20) mA Active	(0 to 5) V	(0 to 20) mA
(0 to 100) mV	(1 to 5) V	(4 to 20) mA
(20 to 100) mV	(0 to 10) V	(0 to 20) mA
(0 to 1) V	(2 to 10) V	(4 to 20) mA
200 mV to 1 V		
(0 to 5) V		
(1 to 5) V		
(0 to 10) V		
(2 to 10) V		

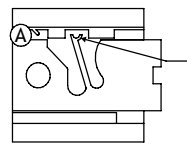
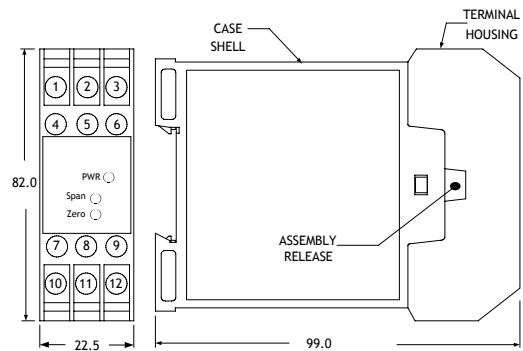
Default Range:
 (4 to 20) mA Input
 (4 to 20) mA and (1 to 5) V output

BLOCK DIAGRAM



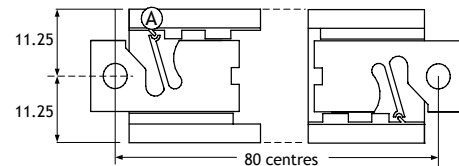
MECHANICAL DETAILS

(All dimensions in mm)



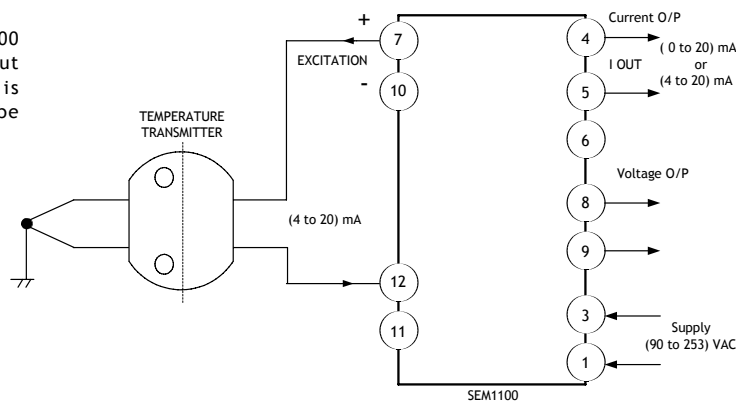
Non DIN rail attachment latch. Locate slide out mounting feet. insert screwdriver and twist anti-clockwise to allow latch to pass mounting and rest at position (A), repeat for other foot.

This view shows feet in surface mount position



TYPICAL APPLICATION

In this application the SEM1100 provides power for both input and output loops. isolation is provided allowing the TC to be grounded.



ORDER CODE

SEM1100

/

S1

IN / OUT

(90 to 253) VAC Powered (50 to 60) Hz
 (20 to 35) VDC Powered or (22 to 28) VAC, (50 to 60) Hz

S2

See Config. ranges ((4 to 20) mA INPUT (4 to 20) mA OUTPUT default)